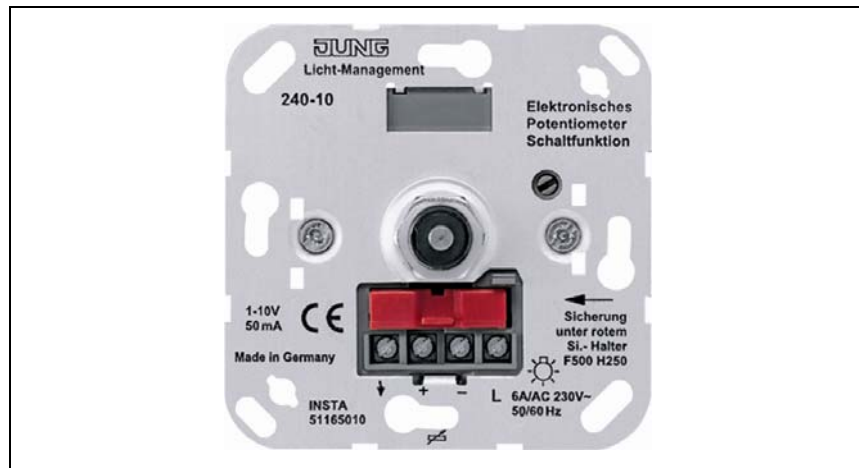


## Operating Instructions Electronic potentiometer for 1-10 V



### 1. Safety warnings



**Attention! Electrical equipment must be installed and fitted by qualified electricians only and in strict observance of the relevant accident prevention regulations.**

**To prevent electric shocks, disconnect the mains supply (by cutting out the circuit breaker) before working on the device itself or on the load.**

**Not suitable for safe disconnection of the mains.**

**Failure to observe any of the installation instructions may result in fire and other hazards.**

**Adjustment of the minimum brightness may only be performed by a qualified electrician.**

**Unqualified work bears the risk of an electric shock.**

**Use only tools approved for working on live equipment.**

**Before making the adjustment make sure all live neighbouring devices (e.g. socket outlet insert in combinations) are disconnected from the mains or – if this is not possible – protected against direct contact.**

### 2. Function

Electronic potentiometer for electronic ballasts (EVGs) or Tronic transformers with 1-10 V control input.

**Electronic potentiometer with switch control:**

A press on the button switches the ballasts on and off.

A turn of the button controls the brightness of the lamps.

With resistive loads, the switch has a maximum capacity of AC 230 V ~, 6 A.

The load capacity with electronic ballasts or Tronic transformers is type-dependent.

Up to 13 Insta 1-10V Tronic transformers 20-105W or up to 15 Insta 1-10V EVGs 42 W 2-lamp can be connected.

### Electronic potentiometer with pushbutton control

(only in conjunction with pulse relay):

A press on the control button sends a pulse to the pulse relay and switches the ballast (EVG) on and off. A turn of the button controls the brightness of the lamps.

With resistive loads, the pushbutton has a maximum capacity of AC 230 V ~, 2 A.

## 3. Fitting instructions

Connection of electronic potentiometer with switch control as per fig. A (without relay) and fig. B (with relay).

Connection of electronic potentiometer with pushbutton control without extensions as per fig. C and with extensions as per fig. D.

The fine-wire fuse incorporated in the device protects the 1-10 V control current circuit in the event of incorrect connection.

If the device does not work, check fine-wire fuse "F" first (fig. E).

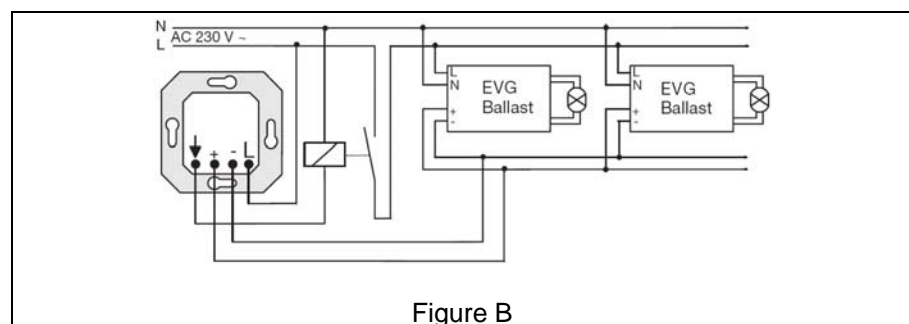
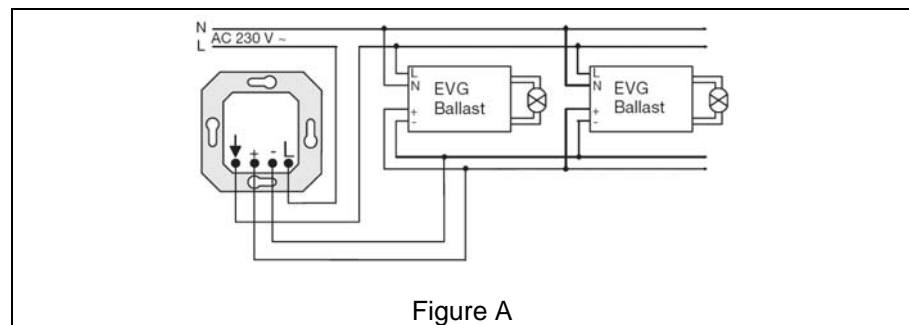
Use only original fuses.

Control cable: type, cross-section and laying in acc. With VDE guidelines for 250 V lines (control voltage with basic insulation). Control and load wires may share a common cable, e.g. NYM J 5 x 1.5.

Connect the ballast in acc. With the manufacturers' instructions to the PE conductor.

The sum of the ballast control currents (see EVG manufacturer's info) must not exceed 50 mA, permitting, for instance.

Use only ballasts and fluorescent lamps of the same manufacturer, type and power rating.



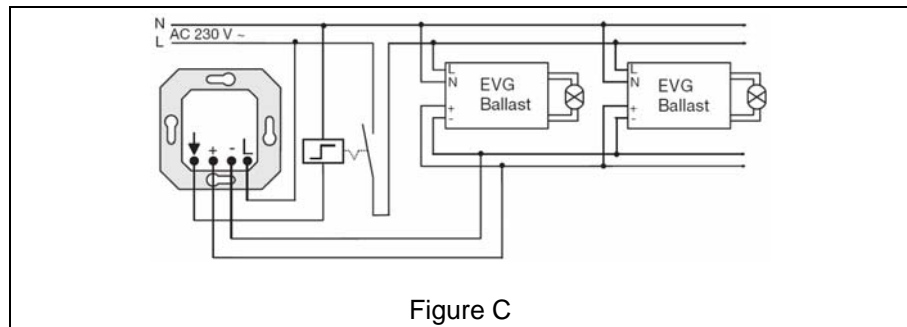


Figure C

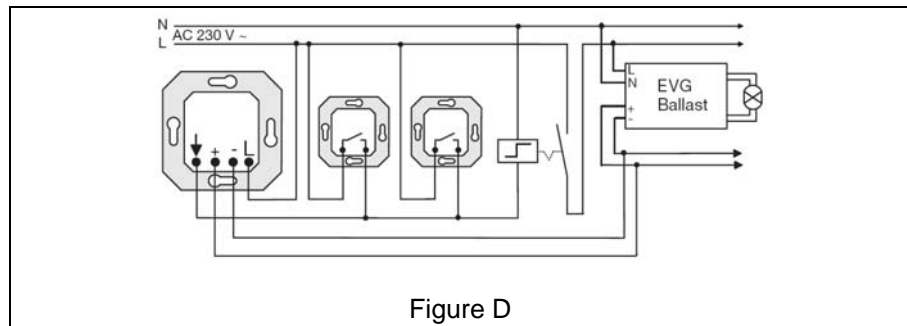


Figure D

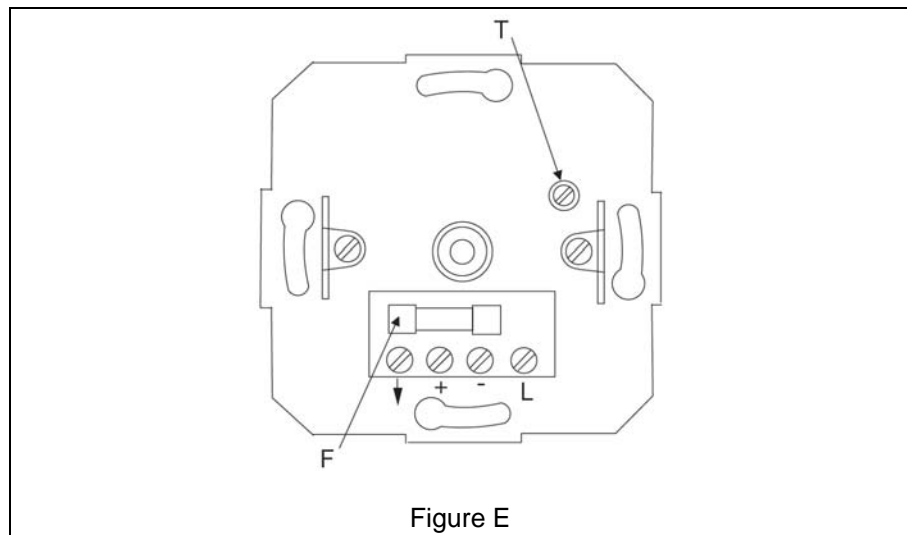


Figure E

#### 4. Basic brightness adjustment

After installation, the basic brightness must be set with trimming potentiometer "T" (fig. E) so that the light is still easily discernible.

**Safety warnings**

Disconnect the mains supply. Connect the electronic potentiometer in acc. with diagram (see figs. A-D) paying attention to regular insulation of the wires. Switch on the mains voltage. Switch on the lighting by a press on the potentiometer axis and turn potentiometer to the left stop position (minimum dimming position). Adjust trimming potentiometer "T" (see fig. E) until the light is still easily visible. Disconnect the mains. Put the cover on the insert. Switch on the mains voltage

## 5. Technical characteristics

Control voltage:	0.7 ... 12 V
Control current:	max. 50 mA
Fine-wire fuse:	F 500 H 250
max. cross-section of leads:	2 x 2.5 mm <sup>2</sup> or 1 x 4 mm <sup>2</sup>

**Electronic potentiometer with switch control**

Switching capacity of mains switch:	AC 230/240V~ 50/60 Hz max. 6 A max. for resistive loads.
-------------------------------------	---

**Electronic potentiometer with pushbutton control**

Switching capacity of mains pushbutton:	AC 230/240V~ 50/60 Hz max. 2 A max. for resistive loads.
---	---

## 6. Garantie

Our products are under guarantee within the scope of the statutory provisions.

**Please return the unit postage paid to our central service department giving a brief description of the fault:**

**ALBRECHT JUNG GMBH & CO. KG**

**Service-Center**

**Kupferstr. 17-19**

D-44532 Lünen

Service-Line: +49 (0) 23 55 . 80 65 51

Telefax: +49 (0) 23 55 . 80 61 89

E-Mail: mail.vki@jung.de

**General equipment**

Service-Line: +49 (0) 23 55 . 80 65 55

Telefax: +49 (0) 23 55 . 80 62 55


E-Mail: mail.vkm@jung.de

**Instabus EIB equipment**

Service-Line: +49 (0) 23 55 . 80 65 56

Telefax: +49 (0) 23 55 . 80 62 55

E-Mail: mail.vkm@jung.de

 The CE-Sign is a free trade sign addressed exclusively to the authorities and does not include any warranty of any properties.